

# MMD MMLD

## Metric Male Rod End Bearings, Self lubricating

### Rod End housing

Corrosion resistant steel  
AMS 5643. Rc 36 to 42

### Outer race

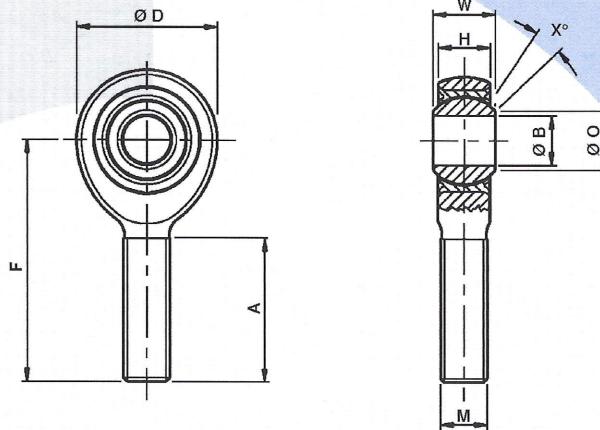
Corrosion resistant steel  
AMS 5643. H1150

### Ball

Corrosion resistant steel  
AMS 5630. Rc 55 to 62

### Liner

Rose 'D' type enriched  
long life liner qualified  
to Mil-B-81820



**MMD** Right hand thread  
**MMLD** Left hand thread

For tight fit add suffix 'TF' to part no. Eg. MMD06TF

Rose part no	B	W	H	O	D	F	A	M	X	Max static radial load	Weight
	Bore dia	Ball width	Head width	Ball face dia	Head dia	Centre length	Thread length	Thread size	Angle		
<b>MMD</b>	H7	+0 -0,1	+0,1 -0,1	Min	+0,2 -0,2	+0,2 -0,2	Min	ISO med fit	deg	N	kg
<b>MMLD</b>	H7	+0 -0,1	+0,1 -0,1	Min	+0,7 -0,3	+0,7 -0,3	Min				
03	3	6	4,5	5,1	14	27	14	M3 x 0,5	14	4022	0,005
05	5	8	6,0	7,7	18	33	19	M5 x 0,8	13	7743	0,012
06	6	9	6,75	8,9	20	36	21	M6 x 1,0	13	16412	0,019
08	8	12	9,0	10,4	24	42	24	M8 x 1,0	14	28377	0,032
08K	8	12	9,0	10,4	24	42	24	M8 x 1,25	14	28377	0,032
10	10	14	10,5	12,9	28	48	28	M10 x 1,25	13	38993	0,054
10K	10	14	10,5	12,9	28	48	28	M10 x 1,5	13	38993	0,054
12	12	16	12,0	15,4	32	54	32	M12 x 1,25	13	51176	0,085
12K	12	16	12,0	15,4	32	54	32	M12 x 1,75	13	51176	0,085
14	14	19	13,5	16,8	36	60	35	M14 x 1,5	16	49040	0,125
14K	14	19	13,5	16,8	36	60	35	M14 x 2,0	16	49040	0,125
16	16	21	15,0	19,3	42	66	39	M16 x 1,5	15	86928	0,185
16K	16	21	15,0	19,3	42	66	39	M16 x 2,0	15	86928	0,185
18	18	23	16,5	21,8	46	72	43	M18 x 1,5	15	101035	0,260
20	20	25	18,0	24,3	50	78	46	M20 x 1,5	14	127314	0,340
20K	20	25	18,0	24,3	50	78	46	M20 x 2,5	14	127314	0,340
22	22	28	20,0	25,8	54	84	50	M22 x 1,5	15	132321	0,435
25	25	31	22,0	29,6	60	94	56	M24 x 2,0	15	149712	0,590
30	30	37	25,0	34,8	70	110	65	M30 x 2,0	17	177692	1,000

Dimensions in millimetres

No load rotational breakout torque		
Bore size	Normal fit Nm	Tight fit Nm
03 to 06	0,04 to 0,30	0,20 to 0,50
08 to 14	0,08 to 0,50	0,30 to 0,80
16 to 20	0,12 to 0,80	0,50 to 1,20
22 to 30	0,25 to 1,00	0,60 to 1,50

For other sizes and options please contact Rose Bearings.

Max. static loads quoted are subject to suitable shaft materials.

Please consult Rose Bearings for availability of bearings in this series.

Rose Bearings operates a policy of continual improvement, and therefore reserves the right to revise specifications without notice.

**Rose Bearings Ltd - Doddington Road, Lincoln LN6 3RA UK TEL: 01522 500933 FAX: 01522 696485**